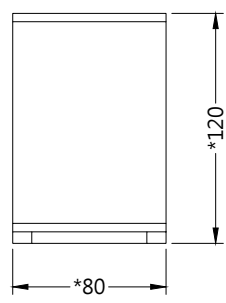
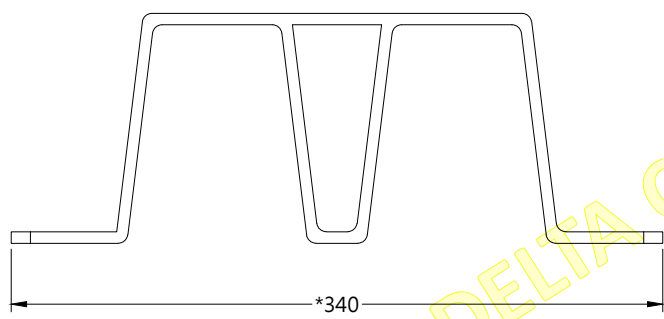
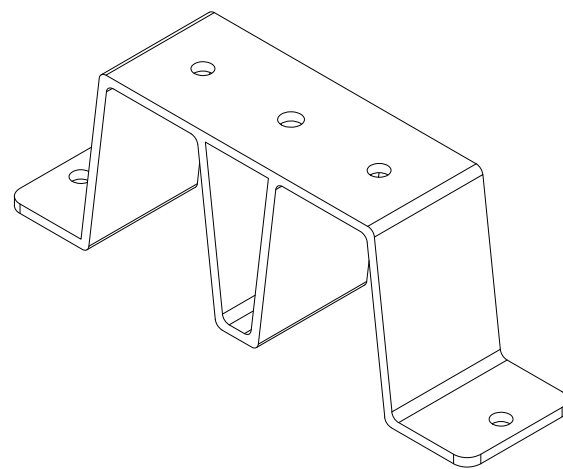
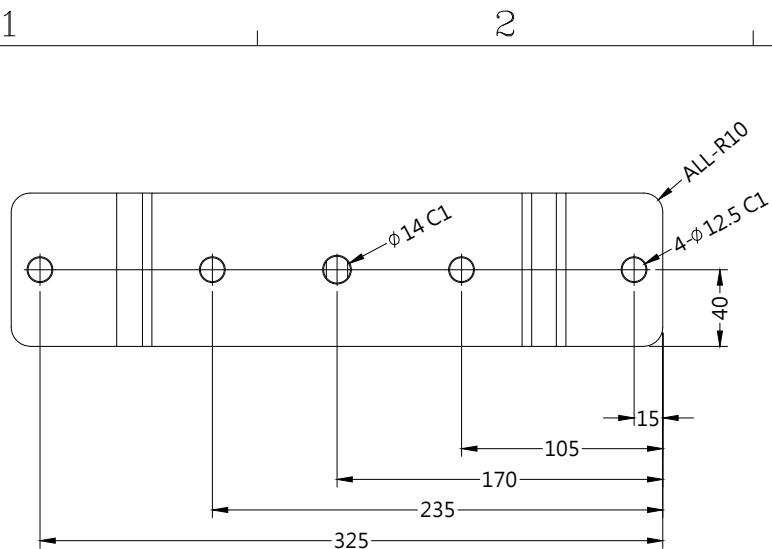


REV.	Description	REV.	Description
00	SPEC. ISSUE		
	Drawn: Arhus.Weng 08/14/2020		Design: Arhus.Weng 08/14/2020

DELTA CONFIDENTIAL

 <b>台達電子工業股份有限公司</b> <b>DELTA ELECTRONICS, INC.</b>	Description: <b>SUPPORT</b>	
	Part No. <b>3313792800</b>	REV. <b>00</b>
	USED ON SHEET <b>RPI104M210100</b> <b>1 OF 3</b>	

THESE DRAWINGS AND SPECIFICATIONS ARE THE PROPERTY OF DELTA ELECTRONICS, INC. AND SHALL NOT BE REPRODUCED OR USED AS THE BASIS FOR THE MANUFACTURE OR SELL OF APPARATUSES OR DEVICES WITHOUT PERMISSION.



DELTA CONFIDENTIAL

**NOTE:**

MATERIAL: AL6063 T5

NET WEIGHT : \_\_\_ kg, GROSS WEIGHT: \_\_\_ kg,

1. FINISH: ANODIZED (COLOR: NATURE).
2. THE PART IS MADE BY NCT; TOOLING.
3. BURR HEIGHT CAN'T EXCEED 5% OF MATEL THICKNESS AND BURR SIDE TO BE INSIDE ; OXIDATION ON SHEARED EDGE IS PERMITTED BUT IT CAN'T EXCEED OVER SURFACE.
4. ALL RADII TO BE 2.0R UNLESS OTHERWISE SPECIFIED.
5. THE TOLERANCE OF HOLE IS  $\pm 0.2\text{mm}$  UNLESS OTHERWISE SPECIFIED.
6. ANY TOOLING MODIFY IN PRODUCT MUST BE APPROVED BY DELTA ENGINEERING DEPARTMENT.
7. \*\*\* IS CRITICAL DIM., WHICH MUST BE INSPECTED BY SUPPLIER IN EVERY SHIPMENT.
8. PART TO BE CLEAN & FREE OF TOOL MARK & CHIP
9. THE PART MUST MEET DELTA GENERAL SPEC. : 10000-0002 AND 10000-0006 AND 10000-0094 AND 10000-0222 DIM. TOLERANCE MUST MEET TOLERANCE TABLE UNLESS SPECIFIED .

<b>台達電子工業股份有限公司</b> <b>DELTA ELECTRONICS, INC.</b>		Drawn: <b>Arhus.Weng</b>	Design: <b>Arhus.Weng</b>
		08/14/2020	08/14/2020
THESE DRAWINGS AND SPECIFICATIONS ARE THE PROPERTY OF DELTA ELECTRONICS, INC. AND SHALL NOT BE REPRODUCED OR USED AS THE BASIS FOR THE MANUFACTURE OR SELL OF APPARATUSES OR DEVICES WITHOUT PERMISSION.		<b>Description:</b> <div style="font-size: 1.2em; font-weight: bold; text-align: center;">SUPPORT</div>	
<b>DIMENSIONAL TOLERANCES</b> ( ) : $\pm 0.25$ ( ) : $\pm 0.3$ ( ) : $\pm 0.25$ ( ) : $\pm 0.4$ ( ) : $\pm 1.5$ <math><30</math> : $\pm 0.25$ X : $\pm 0.3$ 100-150 : $\pm 0.25$ 300-350 : $\pm 0.45$ 600-900 : $\pm 2.4$ >100-300 : $\pm 0.5$ X.X : $\pm 0.2$ 150-200 : $\pm 0.3$ 350-400 : $\pm 0.5$ 900-OVER : $\pm 3.1$ ABOVE 300 : $\pm 0.6$ X.XX : $\pm 0.1$ 200-250 : $\pm 0.35$		A3	Part No. <b>3313792800</b>
SCALE:    UNIT: mm    USED ON: <b>RPI104M210100</b>		SIZE	REV. <b>00</b>
		SHEET <b>2</b> OF <b>2</b>	ISSUE DATE: 08/14/2020